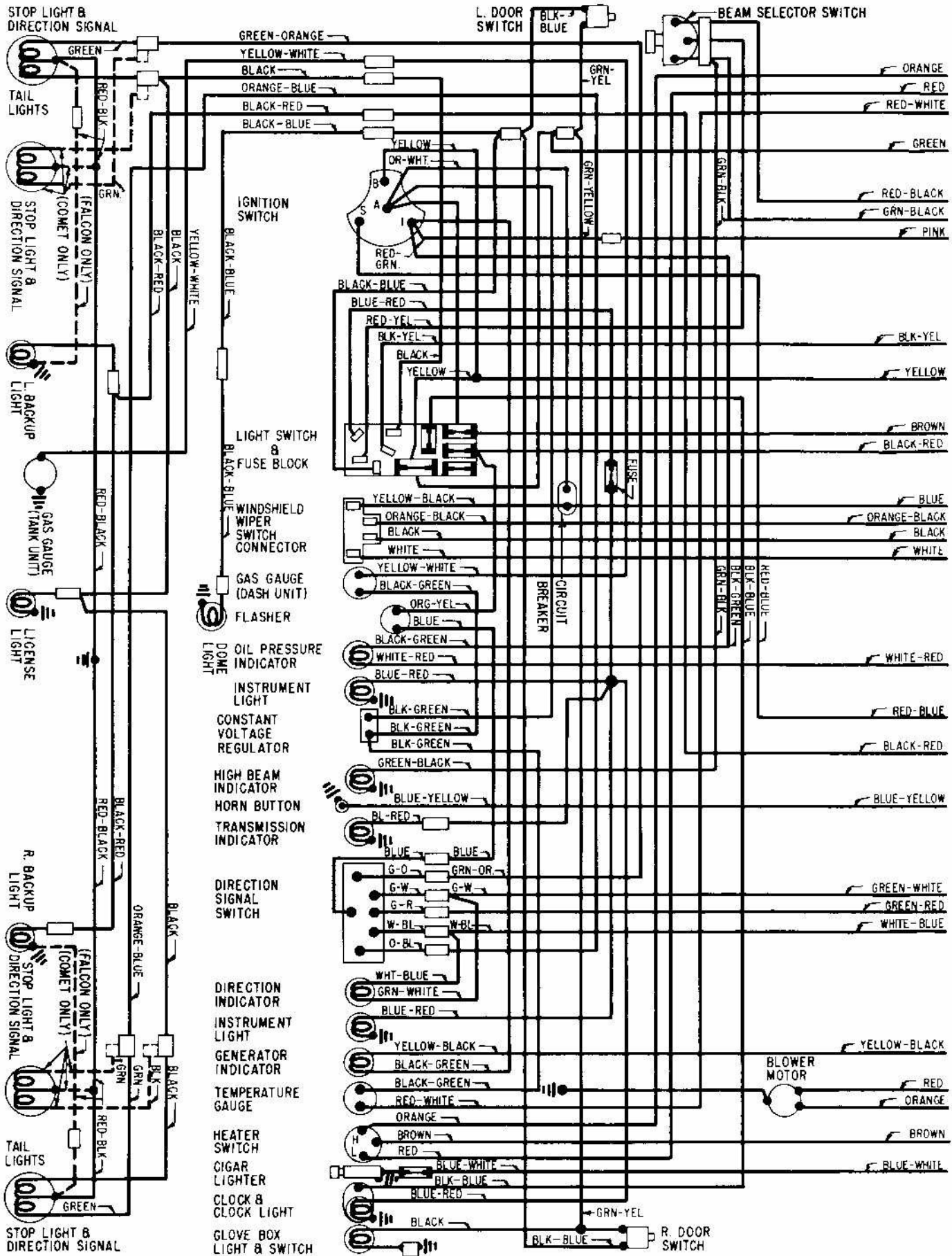
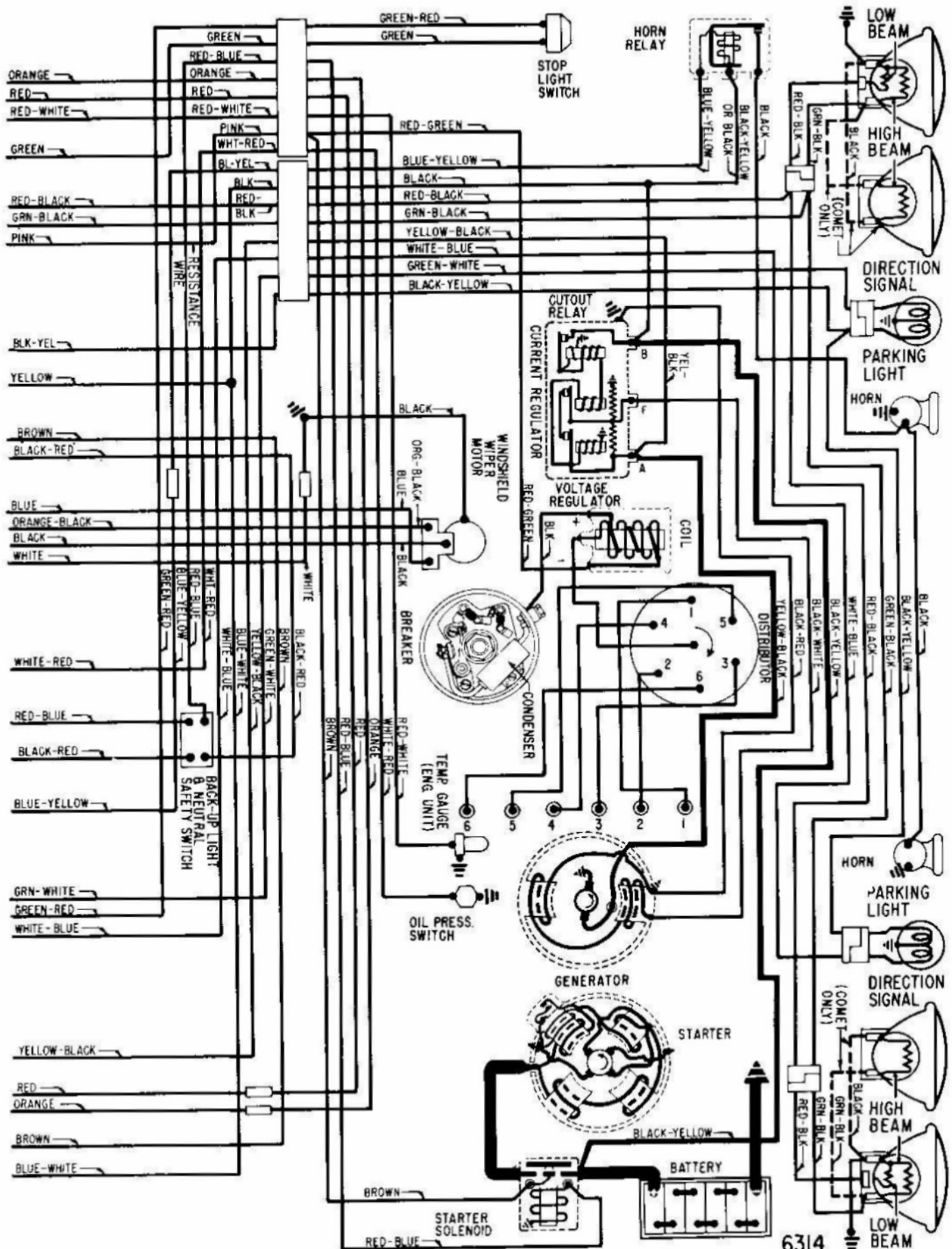


# Ford Falcon 1963 6cyl (1 of 2)

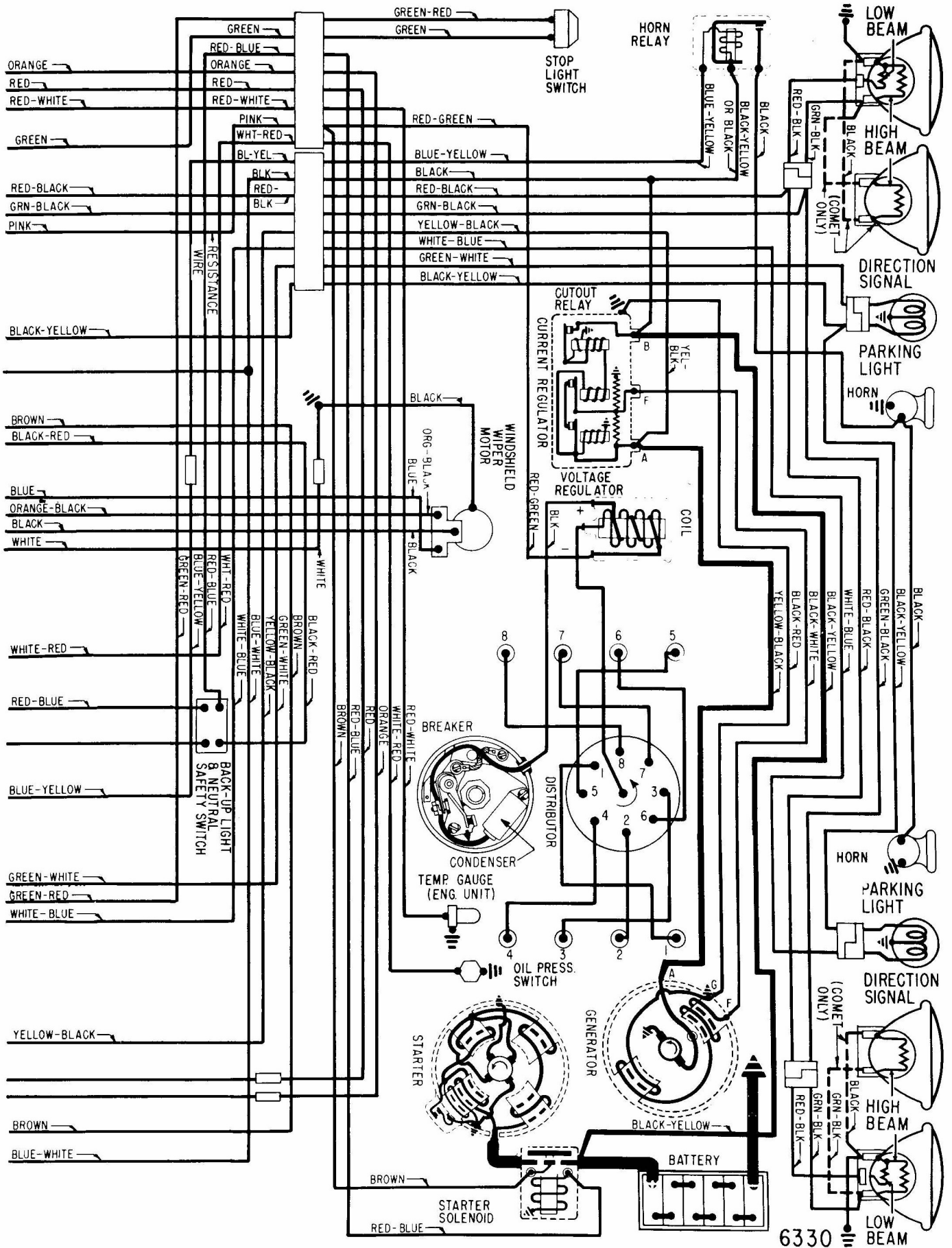


# Ford Falcon 1963 6cyl (2 of 2)

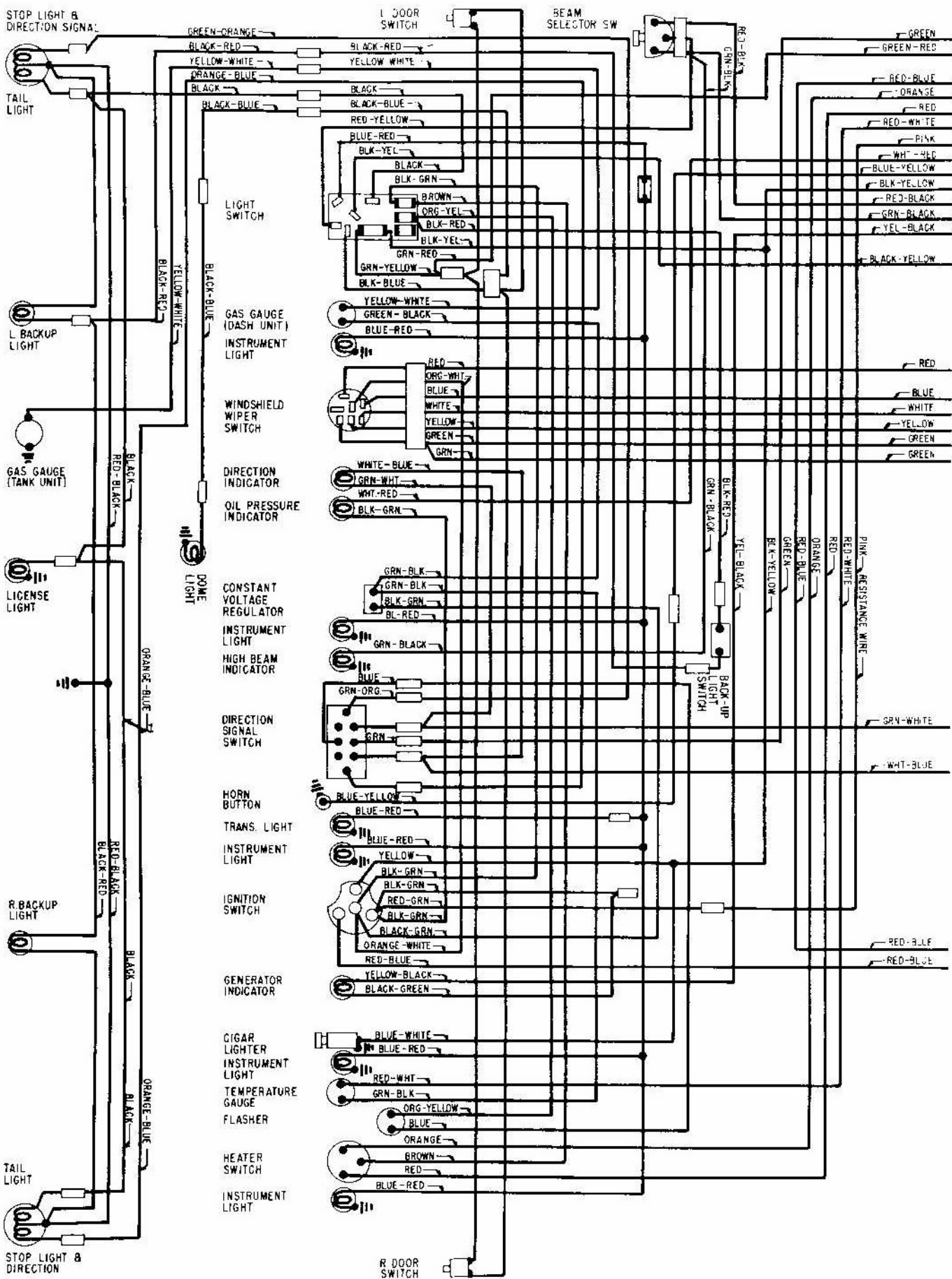




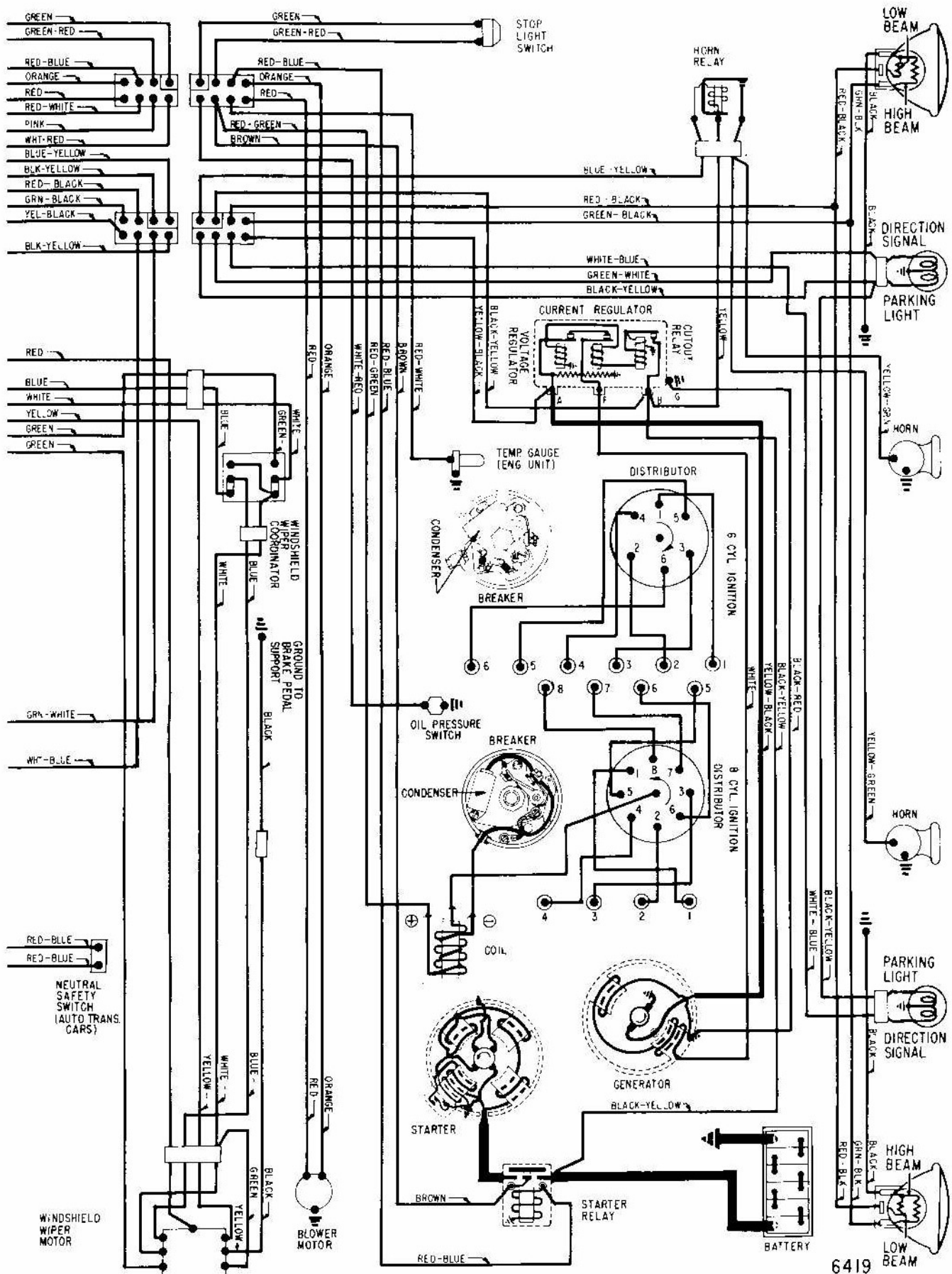
# Ford Falcon 1963 V8 (2 of 2)



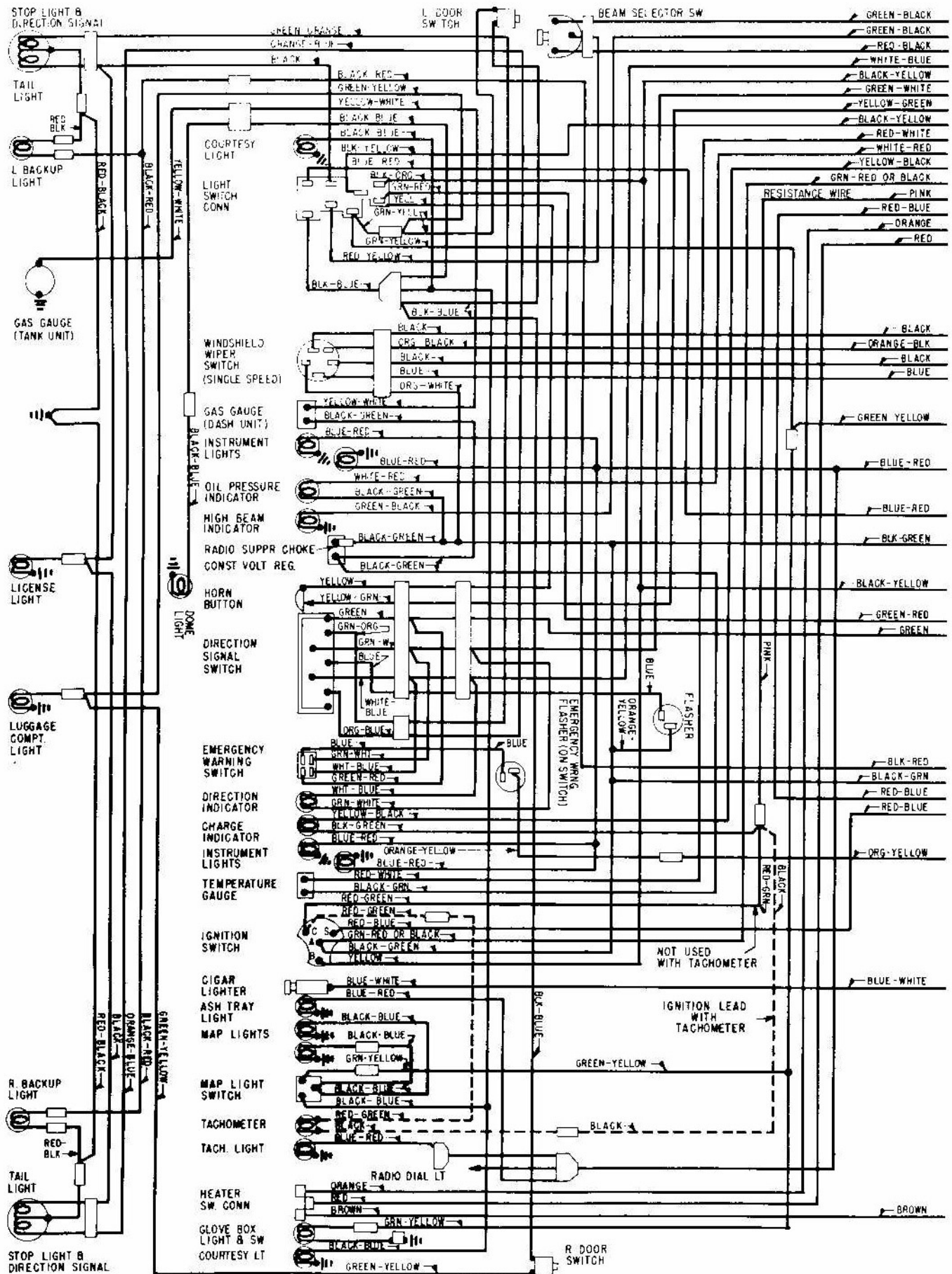
# Ford Falcon 1964 6cyl & V8 (1 of 2)



# Ford Falcon 1964 6cyl & V8 (2 of 2)



# Ford Falcon 1965 6cyl & V8 (1 of 2)



# Ford Falcon 1965 6cyl & V8 (2 of 2)

